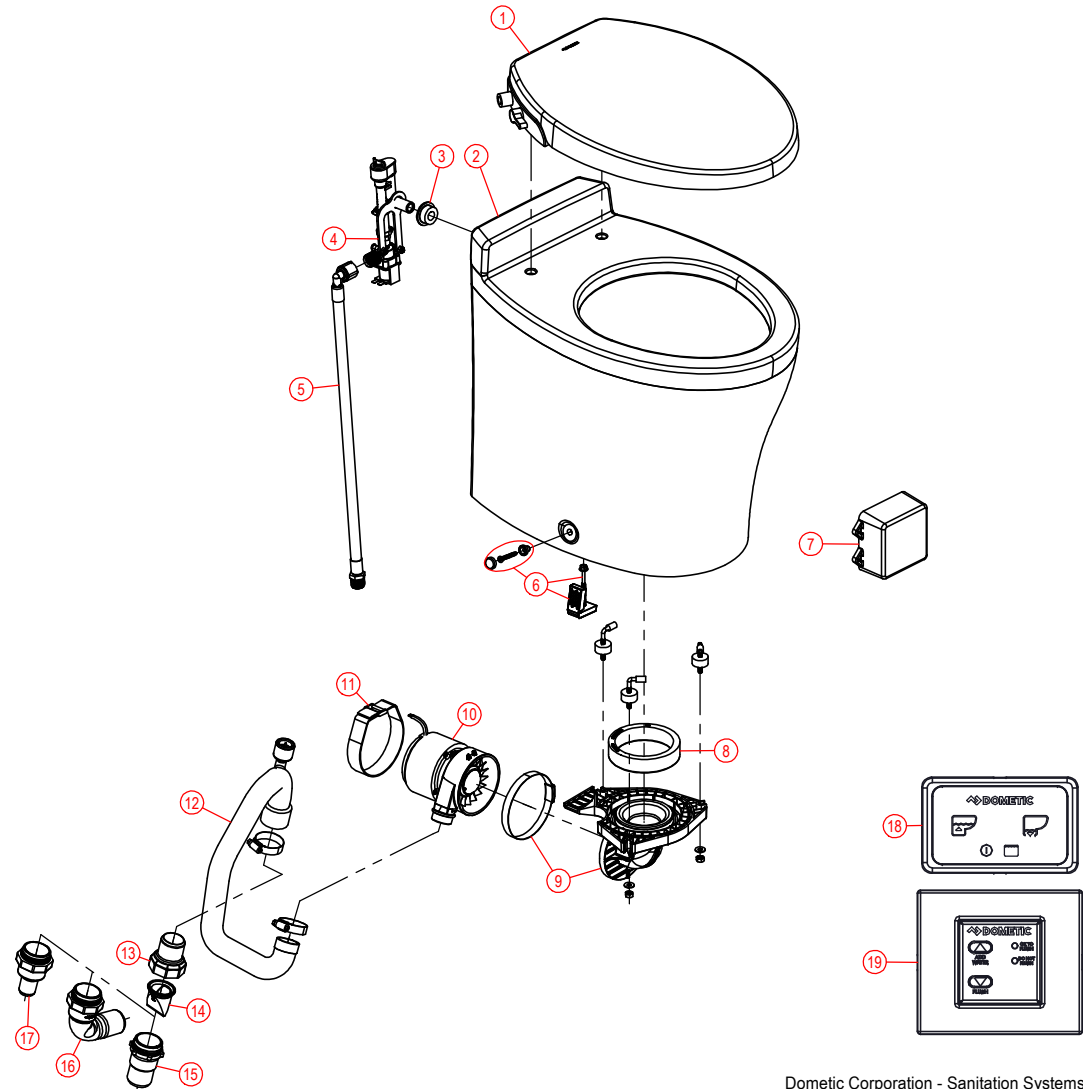


## PARTS LIST: 8541 TALL MASTERFLUSH TOILET w/BIDET

ITEM	PART NUMBER & DESCRIPTION
1	385312156 - MODERNO BIDET SEAT - WHT **Includes Mounting Hardware.
2	385312154 - MODERNO TALL SERIES BOWL KIT - WHITE
3	385311164 - 1/2" SEALING GROMMET
4	385312135 - VACUUM BRK / WATER VALVE KIT - 12vdc 385312136 - VACUUM BRK / WATER VALVE KIT - 24vdc ** Includes Item 3.
5	385311547 - WATER SUPPLY HOSE REPLACEMENT
6	385311463 - BOWL MOUNTING HARDWARE KIT
7	385880085 - CONTROL MODULE 12/24VDC (DBL)
8	385312137 - BOWL ADAPTER SEAL REPLACEMENT **Includes Mounting Hardware.
9	385312138 - BOWL TRANSITION ADAPTER KIT **Includes Items 8 & Mounting Hardware.
10	385880068 - MOTOR/MACERATOR ASSY - 12VDC 385880069 - MOTOR/MACERATOR ASSY - 24VDC
11	385880083 - MOTOR/PUMP MOUNTING STRAP
12	385312139 - DISCHARGE TUBE REPLACEMENT KIT **Includes Clamps & Antisiphon Valve.
13	385880070 - DISCHARGE TUBE VALVE ADAPTER
14	385311620 - 1-1/2" CHECK VALVE
15	385311315 - 1-1/2" VALVE ADAPTER
16	385880071 - 1-1/2" VALVE ADAPTER ELBOW
17	385880072 - 1" VALVE ADAPTER
18	313600021 - DOMETIC TOUCHPAD FLUSH SWITCH - WHITE 313600022 - DOMETIC TOUCHPAD FLUSH SWITCH - BLACK
19**	313409010 - DOMETIC FLUSH CONTROL - STD GRAY 313409020 - DOMETIC FLUSH CONTROL - STD WHITE

**\*\*ITEMS ARE OPTIONAL ACCESSORIES SOLD SEPARATELY  
& ARE NOT INCLUDED WITH EVERY MODEL.**

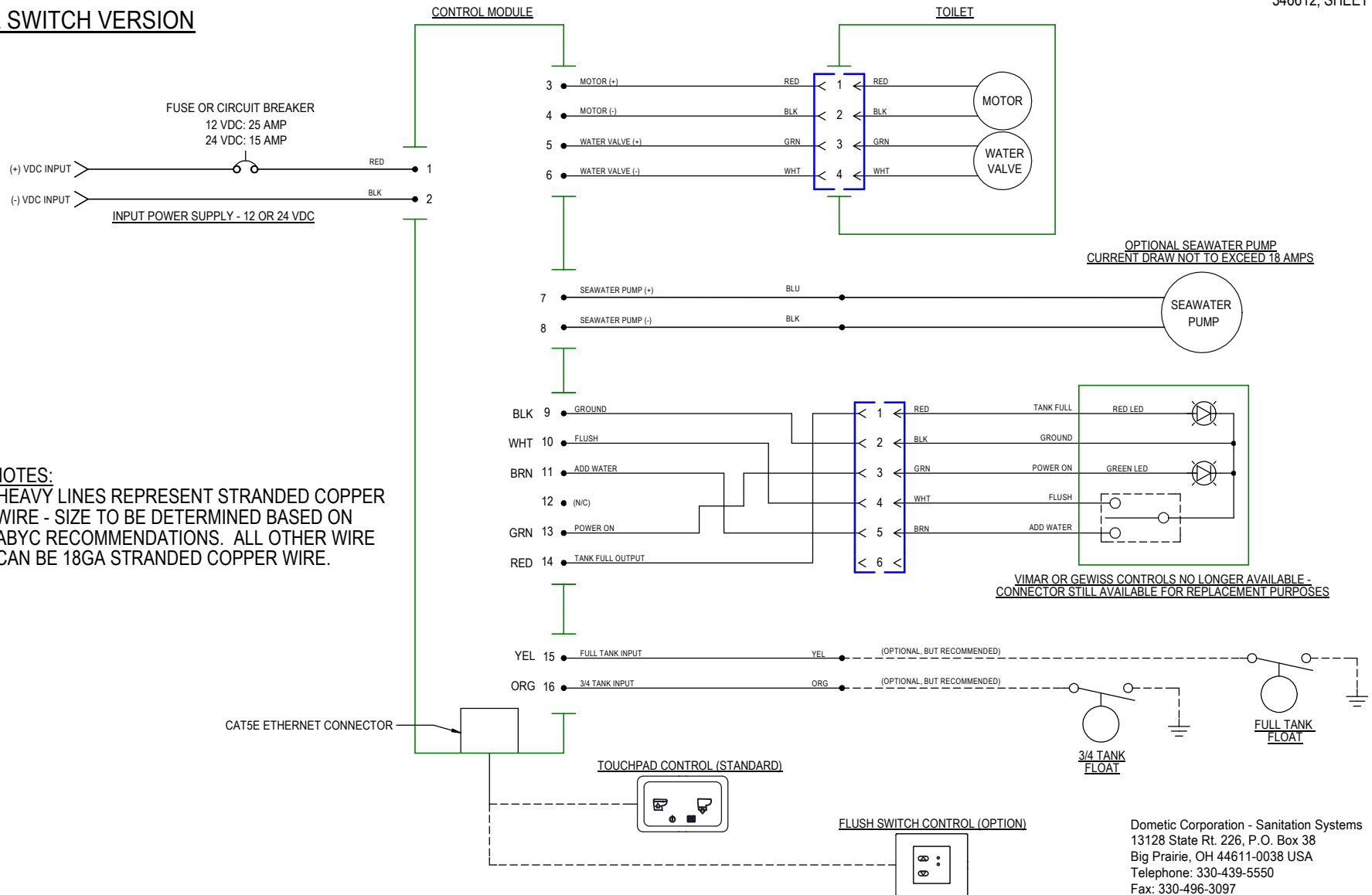


Dometic Corporation - Sanitation Systems  
13128 State Rt. 226, P.O. Box 38  
Big Prairie, OH 44611-0038 USA  
Telephone: 330-439-5550  
Fax: 330-496-3097  
Email: sealand@dometicusa.com

# PARTS LIST: 8541 TALL MASTERFLUSH TOILET w/BIDET

## WIRING DIAGRAM WALL SWITCH VERSION

WIRING DIAGRAM DWG REF.:  
346612; SHEET 3



**NOTES:**  
-HEAVY LINES REPRESENT STRANDED COPPER WIRE - SIZE TO BE DETERMINED BASED ON ABYC RECOMMENDATIONS. ALL OTHER WIRE CAN BE 18GA STRANDED COPPER WIRE.

Dometic Corporation - Sanitation Systems  
13128 State Rt. 226, P.O. Box 38  
Big Prairie, OH 44611-0038 USA  
Telephone: 330-439-5550  
Fax: 330-496-3097  
Email: sealand@dometicusa.com